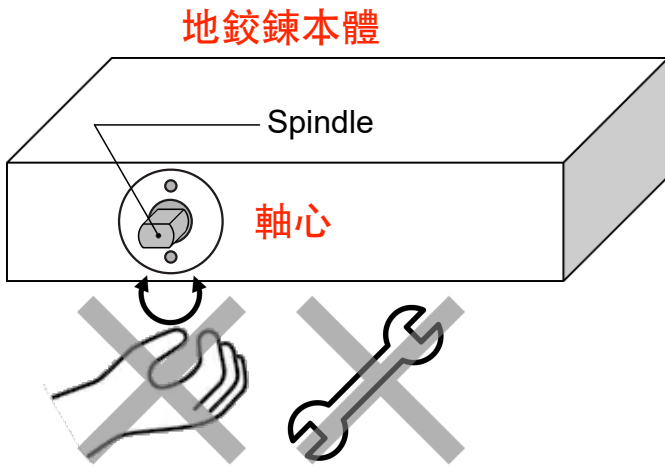


**⚠ Caution: 注意事項**



Do NOT rotate the spindle (pivot pin of closer main unit) by hand or tools.

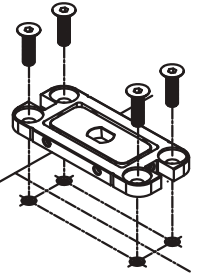
**請勿用手或工具轉動軸心  
(地鉸鍊本體軸心)**

**正確旋轉軸心的步驟**

To rotate the spindle:

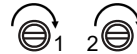
1. Securely fix the bottom plate on the floor by screws.

**用底座專用螺絲  
將底座牢固地固定在地板上**



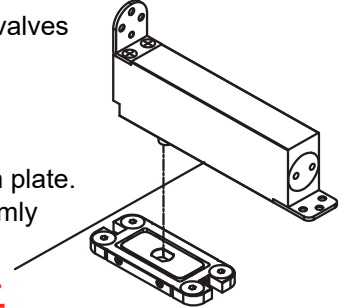
**將兩段速度調節閥順時針旋轉到底**

2. Turn the speed adjustment valves clockwise all the way.



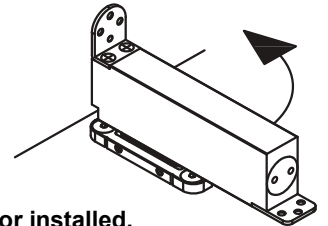
Set the closer on the bottom plate.  
(Make sure the spindle is firmly inserted into the hole.)

**將地鉸鍊本體放在底座上  
(確保本體軸心牢固插入孔中)**



3. Rotate the closer.

**轉動地鉸鍊本體**



\* Rotation may feel heavy without door installed.  
After installing door, it will feel light.

**如果還沒安裝在門片上，旋轉可能會感覺很重  
安裝門片後，感覺很輕**